

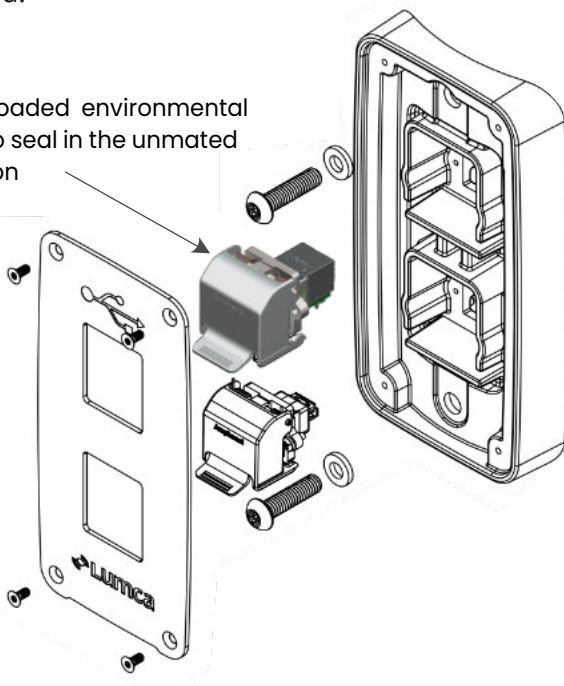
MULTI-CHARGING STATION

OVERVIEW

Rugged industrial / Military connectors

- Built-in spring loaded dust cover that provides environmental protection in the un-mated condition.
- Dust cover acts additionally as a positive latching mechanism with the mating plug.
- Metal die cast housing for best EMI protection and extra robustness (nickel or olive drab finish).
- Available with RJ, USB, 4 pin power, Fiber Optic & RF connector configurations.
- Easy field termination with no special tools required.

Spring loaded environmental cover to seal in the unmated condition



- Plug accommodates standard RJ45 cordset.
- Receptacle accommodates different termination styles.
- IP67 compliant.
- Operating temperature from -40°C to $+105^{\circ}\text{C}$.
- All materials to UL94 V0.
- Connectors supplied with silicone rubber panel gasket and stainless steel mounting screws.
- USB connector; 120 / 77V - 5V per connector.